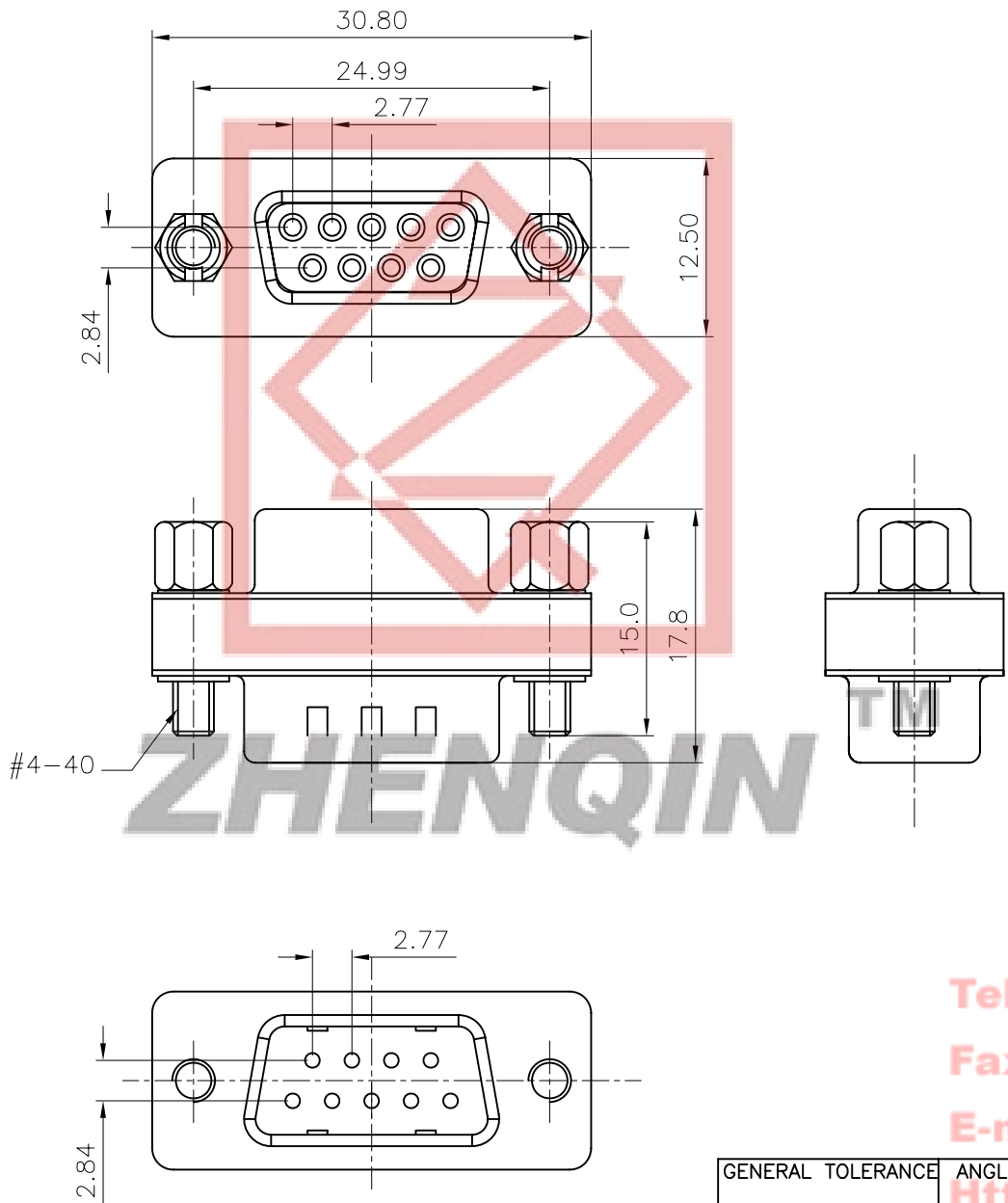


REV.	DESCRIPTION	DRAWN	CHECKED	APPROVED
A	NEW RELEASE	LJH 04/12/06		



NOTES:

- SPECIFICATION:
  - Current Rating: 1.5A.
  - Insulation Resistance: 1000MΩ min.
  - Dielectric Withstanding: 500V for One minute.
  - Contact resistance: 50mΩ max.
  - Operating Temperature: -20°C to +70°C
- MATERIALS
  - Housing: PBT.
  - Contact: Copper alloy.
  - Shell: Steel.
- Product Number code:
 

DS1082-02 - X X X X

  - Shell plating
  - N: All Nickel
  - Housing color
  - B: black
  - L: blue
  - Contact plating
  - 0: Selective gold flash
  - 8: Full gold flash
  - No. of contacts
  - 09: 9pin

Tel: 86-574-63508787  
 Fax: 86-574-63510817  
 E-mail: sale@zhenqin.com.cn

[Http://www.zhenqin.com.cn](http://www.zhenqin.com.cn)  
 Add: West Moli Town, Cixi, Ningbo, China

GENERAL TOLERANCE	ANGLE TOLERANCE	PROJECTION	TITLE	D-SUB ADAPTOR	
X. ±0.60	X. ±5°	UNITS mm		SHEET SIZE	A4
.X ±0.38	.X ±3°			SERIES	DS1082-02 SERIES
.XX ±0.25	.XX ±2°				
DRAWING TYPE	CUSTOMER		NINGBO ZHENQIN ELECTRONIC CO. LTD		
SCALE	1:1	SHEET	1 OF 1	ZHEN QIN	
DRAWING NO.	C-DS1082-02-XXXX				

宁波正青电子有限公司  
 NINGBO ZHENQIN ELECTRONIC CO. LTD