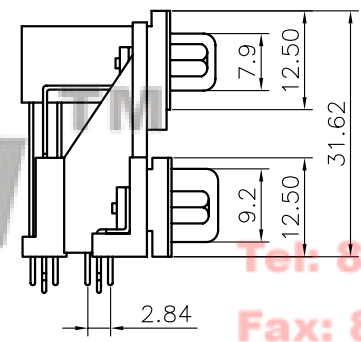
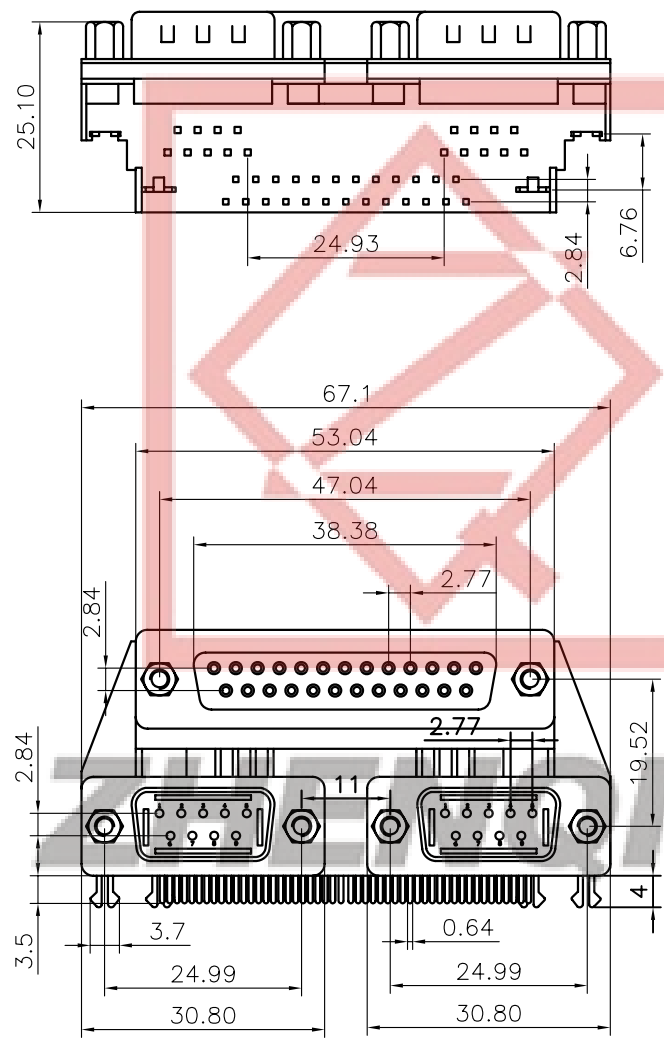


REV.	DESCRIPTION	DRAWN	CHECKED	APPROVED
A	NEW RELEASE	HP 18/06/05		



NOTES:

- SPECIFICATION:
  - Current Rating: 3A.
  - Insulation Resistance: 1000MΩ min.
  - Dielectric Withstanding: 500V for One minute.
  - Contact resistance: 100mΩ max.
  - Operating Temperature: -20°C to +105°C
- MATERIALS
  - Insulator: PBT With 30% Glass Fiber(UL 94V-0)
  - Contact: Copper alloy.
  - Shell: Stel.
  - Board Lock: Copper alloy
- PRODUCT NUMBER CODE:

DS1081 - X X X X

- Contact Plating
- 6: Tin
- 0: Selective Gold flash
- Shell plating
- N: nickel
- Color of 25pin Housing
- P: Purple
- B: BLACK
- L: BLUE
- Color of 9pin Housing
- B: BLACK
- L: BLUE

Tel: 86-574-63508787

Fax: 86-574-63510817

E-mail: sale@zhenqin.com.cn

GENERAL TOLERANCE	ANGLE TOLERANCE	PROJECTION	TITLE	D-SUB CONNECTORS THREE IN ONE(25F/2*9M)	
X. ±0.60	X. ±5°	UNITS mm	SHEET SIZE	A4	SERIES DS1081
.X ±0.38	.X ±3°				
.XX ±0.25	.XX ±2°				
DRAWING TYPE	CUSTOMER		NINGBO ZHENQIN ELECTRONIC CO. LTD		
SCALE	1:1	SHEET	1 OF 1		
DRAWING NO.	C-DS1081-W1T		ZHEN QIN		

宁波正青电子有限公司  
NINGBO ZHENQIN ELECTRONIC CO. LTD