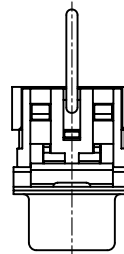
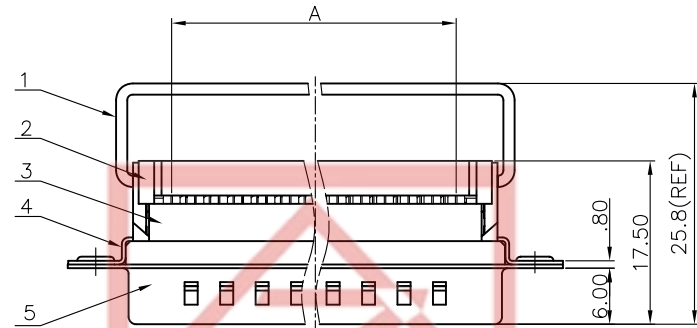
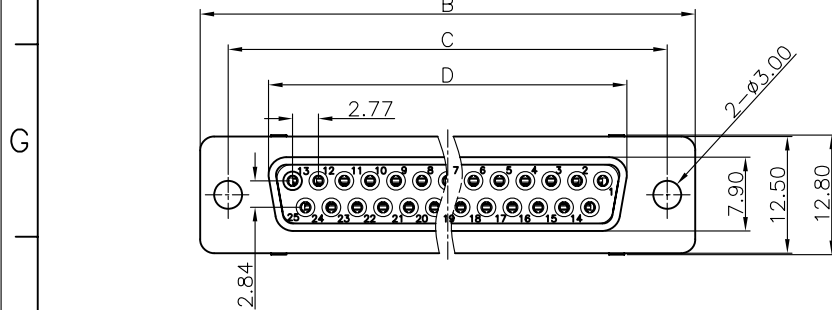
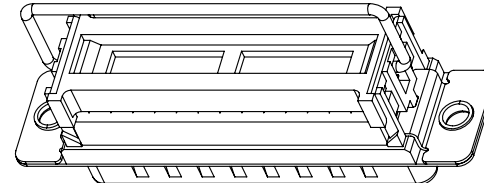
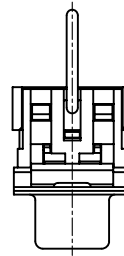
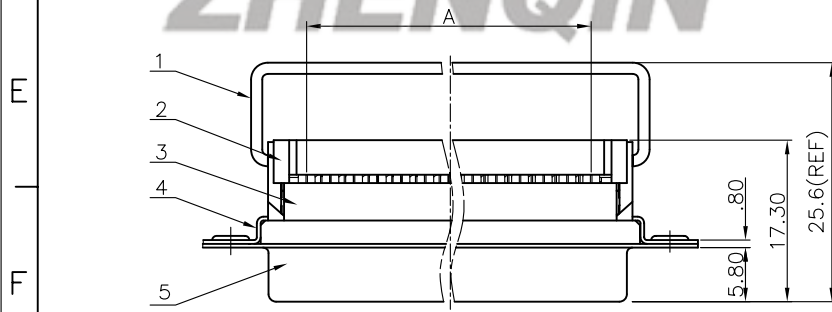


REV.	DESCRIPTION	DRAWN	CHECKED	APPROVED
A	NEW RELEASE	YCH 03/24/07'		



Position	A±0.1	B±0.2	C±0.2	D±0.2	
				Male	Female
9P	10.16	30.80	24.99	17.90	16.33
15P	17.78	39.14	33.32	26.50	24.66
25P	30.48	53.04	47.04	40.00	38.38
37P	45.72	69.32	63.50	56.50	54.84

- NOTES:
- ELECTRICAL CHARACTERISTICS:
    - CONTACT RESISTANCE: 30mΩ Max.INITIAL.
    - DIELECTRIC WITHSTANDING VOLTAGE:500V AC(rms) FOR 1 MINUTE.
    - INSULATION RESISTANCE:1000MΩ Min.
  - MECHANICAL CHARACTERISTICS:
    - DURABILITY: 300 CYCLES.
  - ENVIRONMENT CHARACTERISTICS:
    - OPERATING TEMPERATURE: 0°C~+85°C.
    - STORAGE TEMPERATURE: -20°C~+70°C.
  - PRODUCT NUMBER CODE:  
DS1036-02 -XX X X X X
- CONTACT PLATING:  
O: SELECTIVE GOLD FLASH  
HOUSING COLOR:  
U:BLUE  
B:BLACK  
LATCH SUPPORT:  
P:W/  
CONNECTOR TYPE:  
M:MALE  
F:FEMALE  
No.OF CONTACTS:  
09:9pos  
15:15pos  
25:25pos  
37:37pos



FEMALE

ITEM	PART NAME	MATERIAL	FINISHED
1	LATCH	STAINLESS STEEL	
2	MIDDLE COVER	PBT 30%G.F	UL 94 V-0
3	HOUSING	PBT 30%G.F	UL 94 V-0
4	WASHER	STEEL	Tin Plated
5	SHELL	STEEL	Tin Plated

GENERAL TOLERANCE	ANGLE TOLERANCE	PROJECTION UNITS	TITLE
X. ±0.60	X. ±5°	mm	D-SUB I.DC WITH LATCH TYPE
.X ±0.38	.X ±3°		
.XX ±0.25	.XX ±2°	SHEET SIZE	SERIES DS1036-02 SERIES
DRAWING TYPE	CUSTOMER		
SCALE	1:1	SHEET	1 OF 1
DRAWING NO.	C-DS1036-02-XXXXXX		

**宁波正青电子有限公司**  
NINGBO ZHENQIN ELECTRONIC CO. LTD