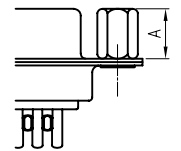
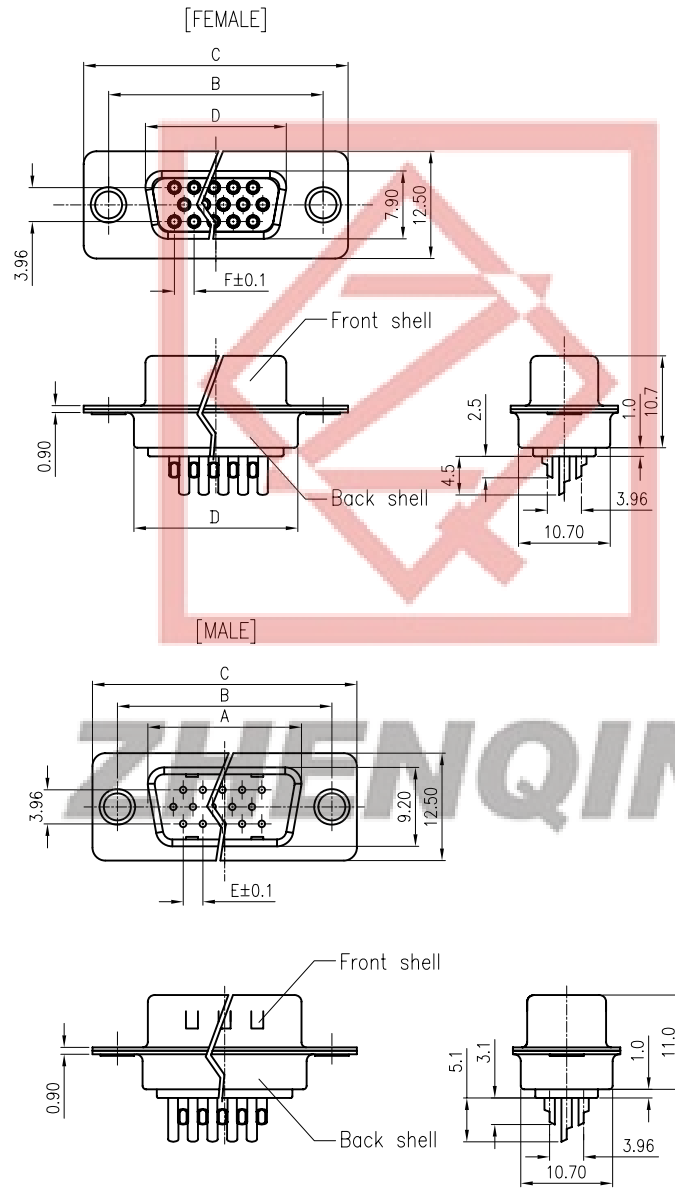
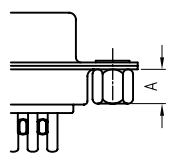


REV.	DESCRIPTION	DRAWN	CHECKED	APPROVED
A	NEW RELEASE	LJH 09/26/05'		



CC TYPE



CS TYPE

NOTES:

- ELECTRICAL CHARACTERISTICS:
  - CONTACT RESISTANCE: 20mΩ Max. INITIAL.
  - DIELECTRIC WITHSTANDING VOLTAGE: 500V AC(rms) FOR 1 MINUTE.
  - INSULATION RESISTANCE: 1000MΩ Min.
- ENVIRONMENT CHARACTERISTICS:
  - OPERATING TEMPERATURE: 0°C~+85°C.
  - STORAGE TEMPERATURE: -20°C~+70°C.
- PART NUMBER: DS1035

4. PRODUCT NUMBER CODE:

- DS1035- X X X X X X X
- SCREW DIM. A
    - S: Standard(W/O nut)
    - 1: 3.00
    - 2: 4.00
    - 3: 4.50
    - 4: 5.00
    - 5: 5.50
    - 6: 5.80
  - SCREW TYPE
    - S: Standard(W/O nut)
    - 1: CC TYPE
    - 2: CS TYPE
  - CONTACT PLATING
    - 8: FULL GOLD FLASH
    - Si: SELECTIVE GOLD FLASH
  - SHELL PLATING
    - T: FORNT & BACK SHELL TIN
    - N: FORNT SHELL NICKEL, BACK SHELL TIN
  - HOUSING COLOR
    - B: BLACK
    - W: WHITE
    - U: BLUE
  - CONNECTOR TYPE
    - M: MALE
    - F: FEMALE
  - No. OF CONTACTS
    - 15: 15pos.
    - 26: 26pos.
    - 44: 44pos.
    - 62: 62pos.

Tel: 86-574-63508787  
 Fax: 86-574-63510817  
 E-mail: sale@zhenqin.com.cn


Dimension

Position	A±0.2	B±0.2	C±0.3	D	E
15	17.90	24.99	30.80	16.33	2.29
26	26.50	33.32	39.14	24.66	2.29
44	40.00	47.04	53.04	38.38	2.29
62	56.50	63.50	69.32	54.84	2.14

GENERAL TOLERANCE		ANGLE TOLERANCE	
X.	±0.60	X.	±5°
.X	±0.38	.X	±3°
.XX	±0.25	.XX	±2°

PROJECTION		TITLE	
UNITS	mm	D-SUB H.D SOLDER TYPE	
SHEET SIZE	A4	SERIES	DS1035 SERIES

DRAWING TYPE	CUSTOMER	
SCALE	1:1	SHEET: 1 OF 1
DRAWING NO.	C-DS1035-XXXXXXX	


**宁波正青电子有限公司**  
 NINGBO ZHENQIN ELECTRONIC CO. LTD