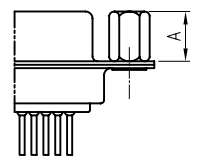
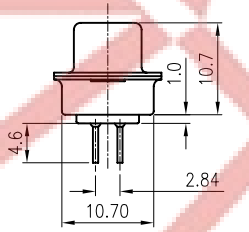
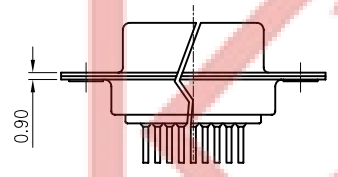
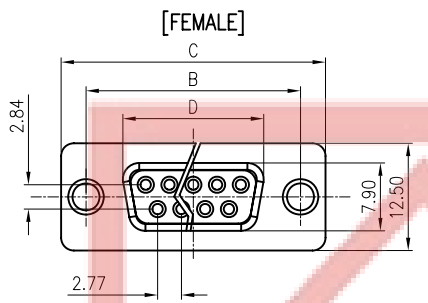
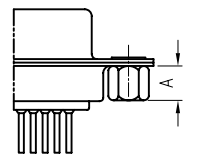


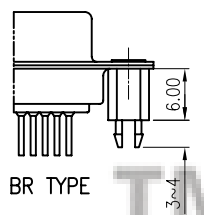
| REV. | DESCRIPTION | DRAWN | CHECKED | APPROVED |
|------|-------------|---------------|---------|----------|
| A | NEW RELEASE | LJH 04/27/05' | | |
| | | | | |
| | | | | |



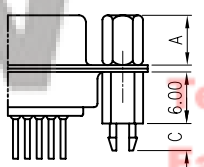
CC TYPE



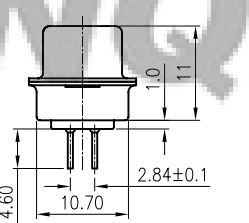
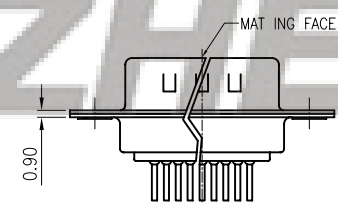
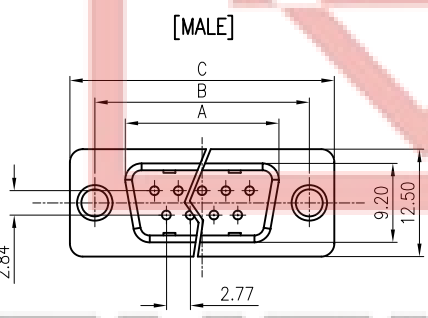
CS TYPE



BR TYPE



BRJ TYPE



Dimension

| Position | A±0.2 | B±0.2 | C±0.3 | D |
|----------|-------|-------|-------|-------|
| 9 | 17.90 | 24.99 | 30.80 | 16.33 |
| 15 | 26.50 | 33.32 | 39.14 | 24.66 |
| 25 | 40.00 | 47.04 | 53.04 | 38.38 |
| 37 | 56.50 | 63.50 | 69.32 | 54.84 |

NOTES:

- ELECTRICAL CHARACTERISTICS:
 - CONTACT RESISTANCE: 20mΩ Max. INITIAL.
 - DIELECTRIC WITHSTANDING VOLTAGE: 500V AC(rms) FOR 1 MINUTE.
 - INSULATION RESISTANCE: 1000MΩ Min.
- ENVIRONMENT CHARACTERISTICS:
 - OPERATING TEMPERATURE: 0°C~+85°C.
 - STORAGE TEMPERATURE: -20°C~+70°C.
- PART NUMBER: DS1034
- PRODUCT NUMBER CODE:

DS1034- X X X X X X X

- SCREW DIM. A
 - S: Standard(W/O nut)
 - 1: 5.00
 - 2: 3.00
 - 3: 5.20
 - 4: 4.80
 - 5: 5.80
 - 6: 3.80
- SCREW TYPE
 - S: Standard(W/O nut)
 - 1: CC TYPE
 - 2: CS TYPE
 - 3: BR TYPE
 - 4: BRJ TYPE DIM. B:6.00 C: 3~4mm
 - 5: BRJ TYPE DIM. B:6.00 C: 5~6mm
- CONTACT PLATING
 - Si: FULL GOLD FLASH
 - 0: SELECTIVE GOLD FLASH
- SHELL PLATING
 - T: FORNT & BACK SHELL TIN
 - N: FORNT SHELL NICKEL, BACK SHELL TIN
- HOUSING COLOR
 - B: BLACK
 - W: WHITE
 - U: BLUE
- CONNECTOR TYPE
 - M: MALE
 - F: FEMALE
- No.OF CONTACTS
 - 09: 9pos.
 - 15: 15pos.
 - 25: 25pos.
 - 37: 37pos.

tel: 86-574-63508787

Fax: 86-574-63510817

E-mail: sale@zhenqin.com.cn

Http://www.zhenqin.com.cn

Ad.: West Zhonglin Town Cixi Ningbo China

| | | | |
|-------------------|-------|------------------|-----|
| GENERAL TOLERANCE | | ANGLE TOLERANCE | |
| X. | ±0.60 | X. | ±5' |
| .X | ±0.38 | .X | ±3' |
| .XX | ±0.25 | .XX | ±2' |
| DRAWING TYPE | | CUSTOMER | |
| SCALE | | 1:1 SHEET 1 OF 1 | |
| DRAWING NO. | | C-DS1034-XXXXXX | |

| | | | |
|--|----|--------|-------------------------|
| PROJECTION | | TITLE | D-SUB DIP STRAIGHT TYPE |
| UNITS | mm | SERIES | DS1034 SERIES |
| SHEET SIZE | | A4 | |
| | | | |
| 宁波正青电子有限公司 NINGBO ZHENQIN ELECTRONIC CO. LTD | | | |