

REV.	DESCRIPTION	DRAWN	CHECKED	APPROVED
A	NEW RELEASE	LJH 06/22/05'		

NOTES:

- MATERIAL
 - INSULATOR:PBT(UL 94V-0).
 - CONTACT MATERIAL:COPPER ALLOY.
- SPECIFICATION
 - CURRENT RATING:1.0 Amp.
 - INSULATION RESISTANCE:500MΩ Min.
 - DIELECTRIC WITHSTANDING:300VAC.
 - CONTACT RESISTANCE:50mΩ Max.
 - OPERATING TEMPERATURE:-40°C TO+105°C.
- PART NUMBER: DS1031-02
- PRODUCT NUMBER CODE:

DS1031-02 - X X X X X X X X

- CONTACT BEND TYPE
 - 1: R1 TYPE
 - 2: R2 TYPE
- DIM.A C TYPE
 - 1: TYPE 1
- HOUSING HEIGHT(DIM. B)
 - 1: 1.00mm
 - 2: 1.50mm
 - 3: 2.00mm
- MOUNTING TYPE
 - R: RIGHT ANGLE TYPE
- HOUSING COLOR
 - B:BLACK
- CONTACT PLATING
 - 8: FULL GOLD FLASH
- CONNECTOR TYPE
 - P:PLUG
- No.OF CONTACTS
 - 1*1-1*40
- SERIES No.
 - DS1031-02

TYPE	DIM A	DIM C
1	3.50	2.40

Tel: 86-574-63508787

Fax: 86-574-63510817

E-mail: sale@zhenqin.com.cn

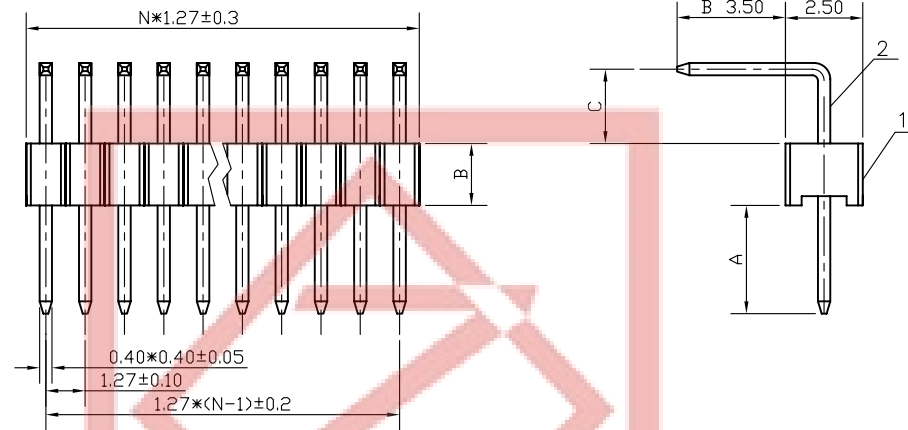
Http://www.zhenqin.com.cn
 Add.: West Zhenqin Town Cixi Ningbo China



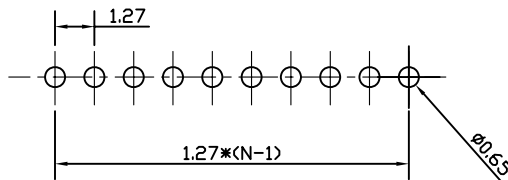
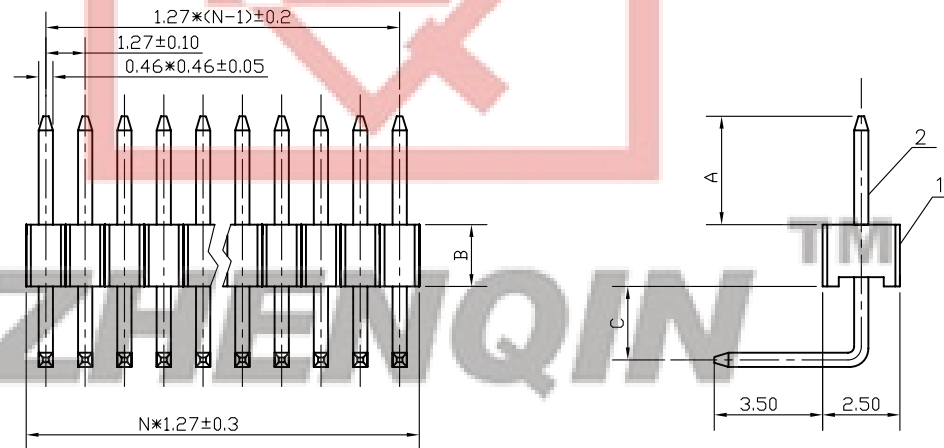
宁波正青电子有限公司

NINGBO ZHENQIN ELECTRONIC CO. LTD

R1 TYPE



R2 TYPE



RECOMMEND PCB LAYOUT(TOLERANCE=±0.05)

GENERAL TOLERANCE		ANGLE TOLERANCE		PROJECTION	TITLE
X.	±0.60	X.	±5'		1.27mm PITCH PIN HEADER
.X	±0.38	.X	±3'	mm	SINGLE ROW RIGHT ANGLE
.XX	±0.25	.XX	±2'	SHEET SIZE	A4
				SERIES	DS1031-02 SERIES
2	CONTACT	COPPER ALLOY	GOLD PLATED	DRAWING TYPE	
1	HOUSING	THERMOPLASTIC	UL 94 V-0	CUSTOMER	
ITEM	PART NAME	PART NO.	MATERIALS	FINISHED	DRAWING NO.
					C-DS1031-02-XXXXXXX

SCALE	1:1	SHEET	1 OF 1
DRAWING NO.	C-DS1031-02-XXXXXXX	ZHENQIN	