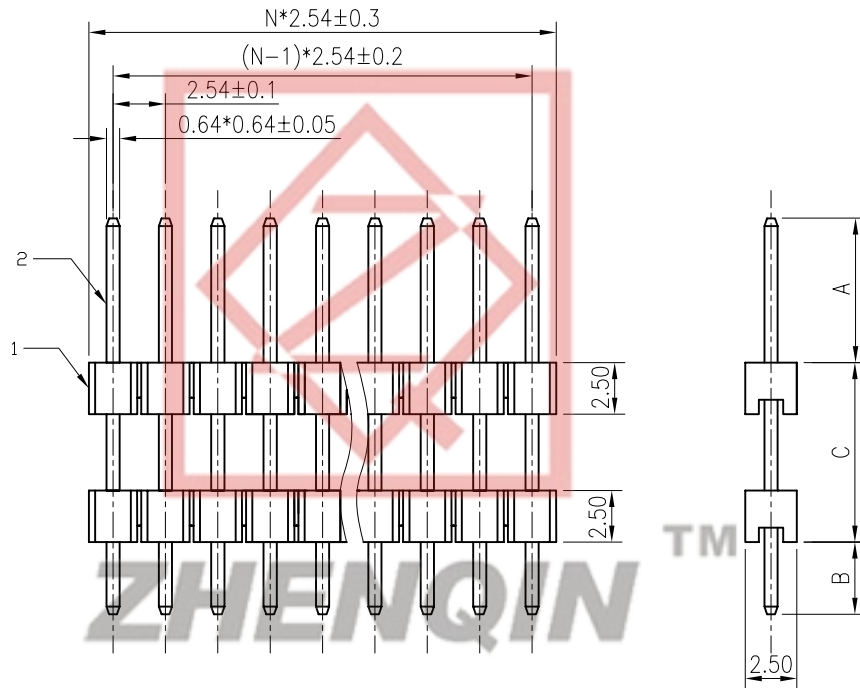
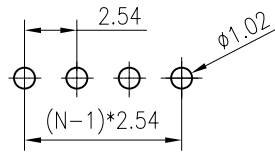


REV.	DESCRIPTION	DRAWN	CHECKED	APPROVED
A	NEW RELEASE	LJH 11/29/05'		
B	ADD DIM.	LJH 04/20/06'		



N:NUMBER OF CONTACTS



RECOMMEND PCB LAYOUT(TOLERANCE=±0.05)

TABLE A:

TYPE	Dimension		
	A	C	B
1	6.00	12.00	3.00
2	7.00	8.50	3.50
3	6.40	10.40	3.00
4	18.60	10.40	3.00
5	6.00	18.00	3.00
6	6.00	21.00	3.00
7	6.00	24.00	3.00
8	6.40	22.00	3.00
9	9.00	14.00	3.00
10	18.00	3.00	12.50
11	6.00	36.00	3.00
12	6.00	30.00	3.00
13	3.00	15.08	3.00
14	3.00	5.00	4.32
15	6.00	5.00	6.00
16	3.00	27.00	3.00
17	3.00	5.00	6.00
18	6.00	10.40	3.00
19	3.00	20.50	6.00
20	3.00	5.00	3.00

NOTES:

- MATERIAL
  - INSULATOR:PBT(UL 94V-0).
  - CONTACT MATERIAL:COPPER ALLOY.
- SPECIFICATION
  - CURRENT RATING:1.5 Amp.
  - INSULATION RESISTANCE:1000MΩ Min.
  - DIELECTRIC WITHSTANDING:600VAC.
  - CONTACT RESISTANCE:50mΩ Max.
  - OPERATING TEMPERATURE:-40°C TO+105°C.
- PART NUMBER: DS1029-01
- PRODUCT NUMBER CODE:

DS1029-01 - X X X X X X

DIM.A B C TYPE

1: TYPE 1 8: TYPE 8  
 2: TYPE 2 9: TYPE 9  
 3: TYPE 3 10: TYPE 10  
 4: TYPE 4 11: TYPE 11  
 5: TYPE 5 12: TYPE 12  
 6: TYPE 6 13: TYPE 13  
 7: TYPE 7 14: TYPE 14

MOUNTING TYPE  
 V:VERTICAL TYPE

HOUSING COLOR  
 B:BLACK

CONNECTOR PLATING  
 8: FULL GOLD FLASH

CONECT TYPE  
 P:PLUG

No.OF CONTACTS  
 1\*1-1\*40

SERIES No.  
 DS1029-01

A/B/C:CUSTOMER LENGTH AVAILABLE

Tel: 86-574-63508787

Fax: 86-574-63510817

E-mail: sale@zhenqin.com.cn

Http://www.zhenqin.com.cn

Address: West ... Ningbo, China

GENERAL TOLERANCE		ANGLE TOLERANCE		PROJECTION		TITLE	BOARD SPACERS PIN HEADER
X.	±0.60	X.	±5°	UNITS	mm		PITCH 2.54mm
.X	±0.38	.X	±3°	SHEET SIZE	A4	SERIES	DS1029-01 SERIES
.XX	±0.25	.XX	±2°				
2	CONTACT	COPPER ALLOY	GOLD FLASH	DRAWING TYPE	CUSTOMER		
1	HOUSING	THERMOPLASTIC	UL 94 V-0	SCALE	1:1	SHEET	1 OF 1
ITEM	PART NAME	PART NO.	MATERILAS	FINISHED	DRAWING NO.	C-DS1029-01-XXXXXX	



宁波正青电子有限公司  
 NINGBO ZHENQIN ELECTRONIC CO. LTD