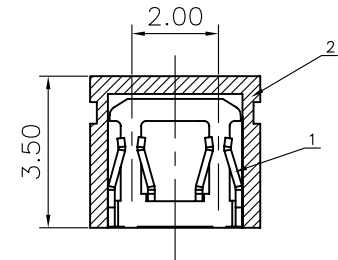
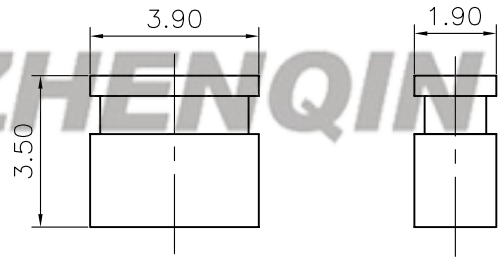
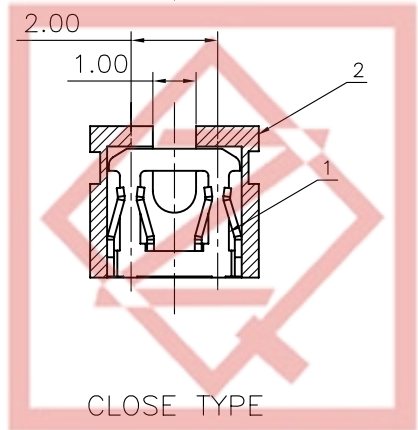
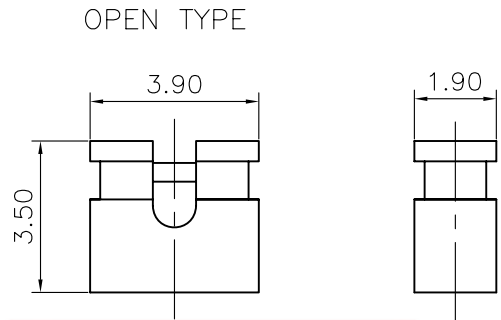


REV.	DESCRIPTION	DRAWN	CHECKED	APPROVED
A	NEW RELEASE	LJH 05/27/05'		



NOTES:

1. SPECIFICATION:

- 1.1 CONTACT RESISTANCE: 30mΩ MAX.
- 1.2 DIELECTRIC WITHSTANDING VOLTAGE: 250V AC(rms) FOR 1 MINUTE.
- 1.3 INSULATION RESISTANCE: 500MΩ MINI.
- 1.4 OPERATING TEMPERATURE: -20°C~+80°C.

2. PRODUCT NUMBER CODE:

DS1028 - X X X X X

PROFILE:
0:3.50mm

HOUSING COLOR:
B: BLACK U:BLUE Y:YELLOW
W: WHITE E:GREEN R:RED

CONTACT PLATING:
F1: FULL GOLD FLASH
N: NICKEL

HOUSING TYPE:
A:OPEN B:CLOSE

No.OF CONTACTS:
2: 2pin

SERIES No:
DS1028

ZHENQIN™

Tel: 86-574-63508787

Fax: 86-574-63510817

E-mail: sale@zhenqin.com.cn

Http://www.zhenqin.com.cn

Address: West Shuangmiao Town, Cixi, Ningbo, China

GENERAL TOLERANCE	ANGLE TOLERANCE	PROJECTION		TITLE	MINI JUMPER PITCH 2.00mm
X. ±0.60	X. ±5°	UNITS	mm	SHEET	1 OF 1
.X ±0.38	.X ±3°	SHEET SIZE	A4	SERIES	DS1028 SERIES
.XX ±0.25	.XX ±2°				

2	HOUSING		PBT	SEE NOTES	DRAWING TYPE	CUSTOMER	
1	CONTACT		COPPER ALLOY	SEE NOTES	SCALE	1:1	SHEET 1 OF 1
ITEM	PART NAME	PART NO.	MATERILAS	FINISHED	DRAWING NO.	C-DS1028-XXXXX	



宁波正青电子有限公司

NINGBO ZHENQIN ELECTRONIC CO. LTD