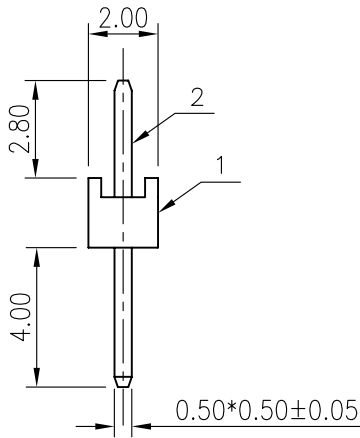
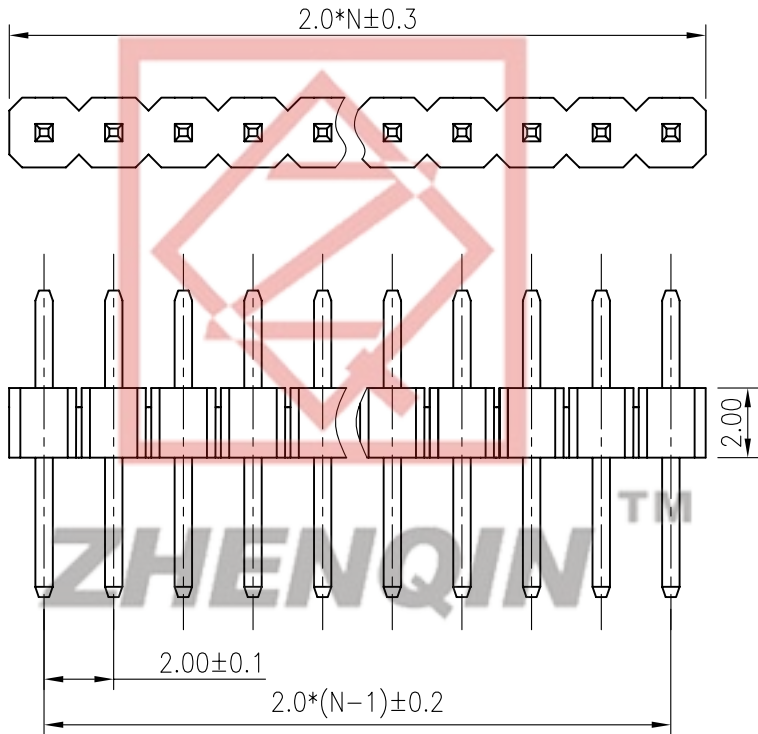


REV.	DESCRIPTION	DRAWN	CHECKED	APPROVED
A	NEW RELEASE	LJH 04/27/05'		



NOTES:

- MATERIAL&FINISHES
  - INSULATOR:THERMOPLASTIC(UL 94V-0).
  - CONTACT MATERIAL: COPPER ALLOY.
- SPECIFICATION
  - CURRENT RATING:1.5 Amp.
  - INSULATION RESISTANCE:1000MΩ Min.
  - DIELECTRIC WITHSTANDING:600VAC.
  - CONTACT RESISTANCE:20mΩ Max.
  - OPERATING TEMPERATURE:-20°C TO +80°C.
- PART NUMBER: DS1025-01
- PRODUCT NUMBER CODE:  
DS1025-01 - X X X X

CONTACTS TYPE  
V:VERTICAL TYPE  
HOUSING COLOR  
B:BLACK

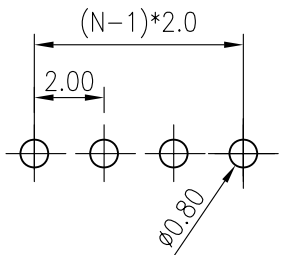
CONTACT PLATING  
8:FULL GOLD FLASH  
6:TIN

CONNECTOR TYPE  
P:PLUG

No.OF CONTACTS  
1\*2-1\*X

SERIES No.  
DS1025-01

N:NUMBER OF CONTACTS



RECOMMEND PCB LAYOUT(TOLERANCE=±0.05)

Tel: 86-574-63508787  
Fax: 86-574-63510817  
E-mail: sale@zhenqin.com.cn

GENERAL TOLERANCE	ANGLE TOLERANCE	PROJECTION		TITLE	SINGLE ROW STRAIGHT
X. ±0.60	X. ±5°	UNITS	mm		
.X ±0.38	.X ±3°	SHEET SIZE	A4	SERIES	DS1025-01 SERIES
.XX ±0.25	.XX ±2°				

2	CONTACT		COPPER ALLOY	GOLD PLATED	DRAWING TYPE	CUSTOMER
1	HOUSING		THERMOPLASTIC	UL 94 V-0	SCALE	1:1 SHEET: 1 OF 1
ITEM	PART NAME	PART NO.	MATERILAS	FINISHED	DRAWING NO.	C-DS1025-01-XXXXX



宁波正青电子有限公司  
NINGBO ZHENQIN ELECTRONIC CO. LTD