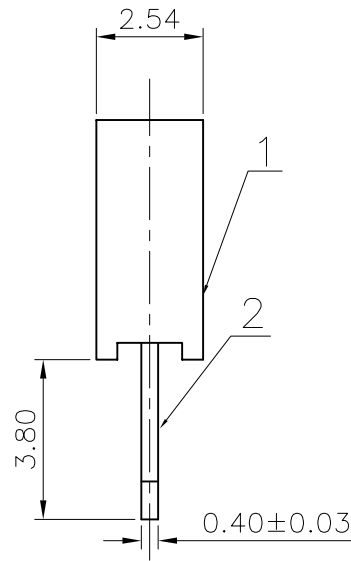
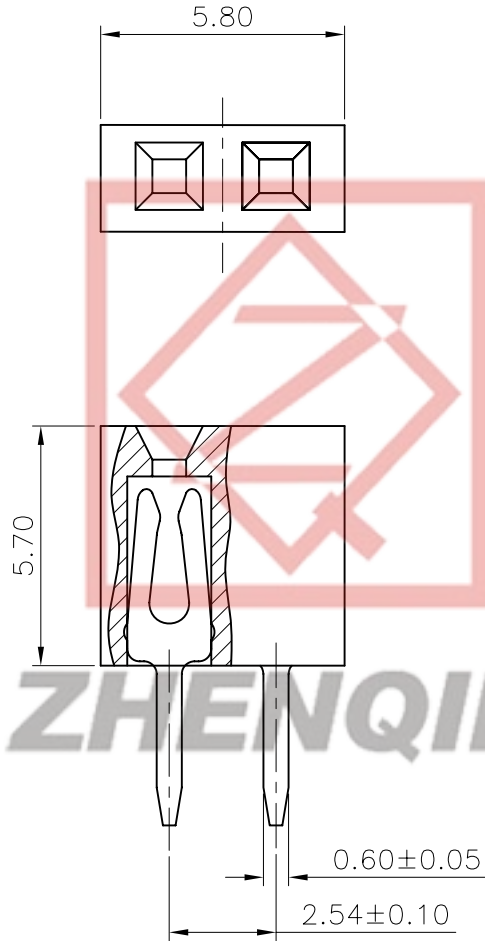


REV.	DESCRIPTION	DRAWN	CHECKED	APPROVED
A	NEW RELEASE	LJH 04/09/06'		



NOTES:

- ELECTRICAL CHARACTERISTICS:
 - CONTACT RESISTANCE: 20mΩ Max.
 - DIELECTRIC WITHSTANDING VOLTAGE: 500V AC(rms) FOR 1 MINUTE.
 - INSULATION RESISTANCE: 1000MΩ Min.

- ENVIRONMENT CHARACTERISTICS:
 - OPERATING TEMPERATURE: 0°C~+85°C.
 - STORAGE TEMPERATURE: -20°C~+70°C.

3. PRODUCT NUMBER CODE:

DS1023-03- X X X

- CONTACT PLATING
- 0: SELETIVE GOLD FLASH
- 8: FULL GOLD FLASH
- MOUNTIING TYPE
- V: V/T TYPE
- No.OF CONTACTS
- 2:2pin
- SERIES No.
- DS1023-03

Tel: 86-574-63508787

Fax: 86-574-63510817

E-mail: sale@zhenqin.com.cn

GENERAL TOLERANCE	ANGLE TOLERANCE	PROJECTION	TITLE	FEMALT HEADER PITCH
X. ±0.60	X. ±5°	mm		2.54mm V/T SINGLE ROWS TYPE
.X ±0.38	.X ±3°			
.XX ±0.25	.XX ±2°			
		SHEET SIZE	SERIES	DS1023-03 SERIES

2	CONTACT		COPPER ALLOY	GOLD FLASH	DRAWING TYPE	CUSTOMER
1	HOUSING		THERMOPLASTIC	UL 94 V-0	SCALE	1:1 SHEET 1 OF 1
ITEM	PART NAME	PART NO.	MATERILAS	FINISHES	DRAWING NO.	C-DS1023-03-XXX



宁波正青电子有限公司

ZHEN QIN NINGBO ZHENQIN ELECTRONIC CO. LTD