

REV.	DESCRIPTION	DRAWN	CHECKED	APPROVED
A	NEW RELEASE	LJH 09/21/05'	~	LJC 09/21/05'
B	ADD DIM A 5.0mm	LJC 11/04/06'	~	LJC 11/04/06'
C	增加产品规格	LL 12/20/06'		

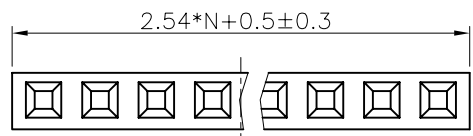
NOTES:

- ELECTRICAL CHARACTERISTICS:
  - CONTACT RESISTANCE: 30mΩ Max. INITIAL.
  - DIELECTRIC WITHSTANDING VOLTAGE: 500V AC(rms) FOR 1 MINUTE.
  - INSULATION RESISTANCE: 1000MΩ Min.
- ENVIRONMENT CHARACTERISTICS:
  - OPERATING TEMPERATURE: 0°C~+85°C.
  - STORAGE TEMPERATURE: -20°C~+70°C.

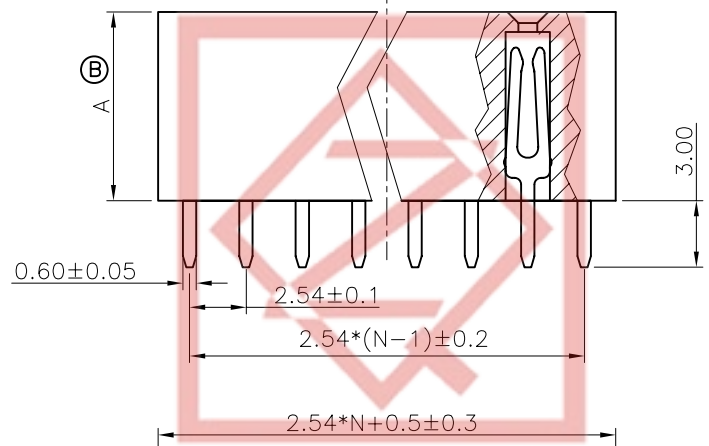
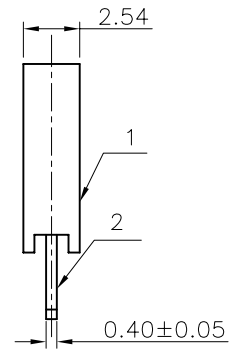
3. PRODUCT NUMBER CODE:

DS1023- X X X X

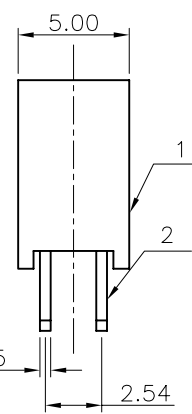
- PROFILE HEIGHT(DIM A)
  - 1: 8.5mm
  - 2: 5.0mm
- CONTACT PLATING
  - 0: SELETIVE GOLD FLASH
  - F1: FULL GOLD FLASH
- MOUNTING TYPE
  - S: Straight TYPE
- No.OF CONTACTS
  - 1\*1-1\*40
  - 2\*2-2\*40
  - ③ 3\*3-3\*40



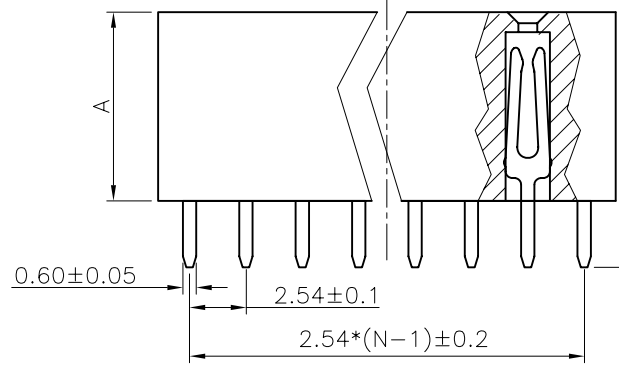
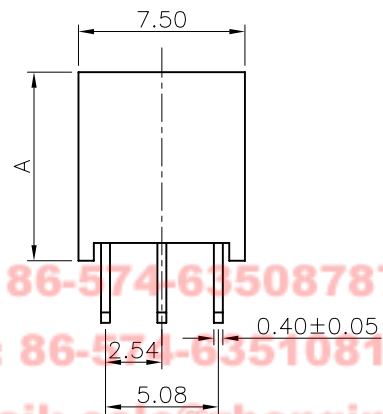
SINGLE ROW



DUAL ROWS



③ THREE ROWS



GENERAL TOLERANCE	ANGLE TOLERANCE	PROJECTION	TITLE
X. ±0.60	X. ±5°	UNITS mm	FEMALT HEADER PITCH 2.54mm
.X ±0.38	.X ±3°	SHEET SIZE A4	SERIES DS1023 SERIES
.XX ±0.25	.XX ±2°		

2	CONTACT		COPPER ALLOY	GOLD FLASH	DRAWING TYPE	CUSTOMER	
1	HOUSING		THERMOPLASTIC	UL 94 V-0	SCALE	1:1	SHEET 1 OF 1
ITEM	PART NAME	PART NO.	MATERILAS	FINISHED	DRAWING NO.	C-DS1023-XXXX	

**ZHENQIN** 宁波正青电子有限公司  
NINGBO ZHENQIN ELECTRONIC CO. LTD

Tel: 86-574-63508787  
Fax: 86-574-63510817  
E-mail: sale@zhenqin.com.cn

<http://www.zhenqin.com.cn>

Acc.: West Group Tower, Xixi Bypass, China